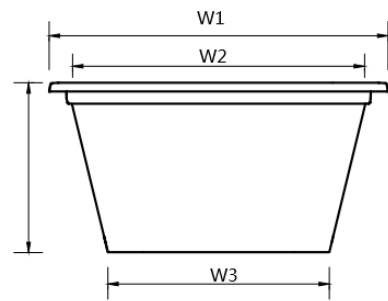
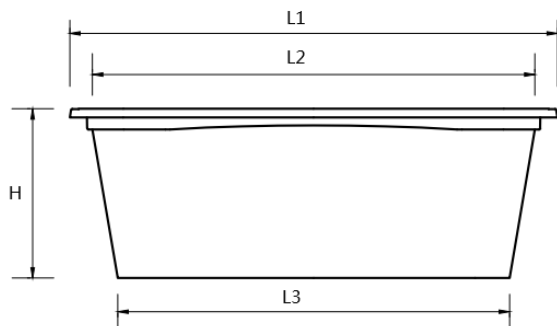




Technical Specification Bucket Rect 450gr



Dimension:

1. L1: 117mm
2. L2: 107.8mm
3. L3: 96.5mm
4. W1: 80.7mm
5. W2: 72.3mm
6. W3: 60.5mm
7. H: 84.5mm

Weight: 18g
Volume: 450g